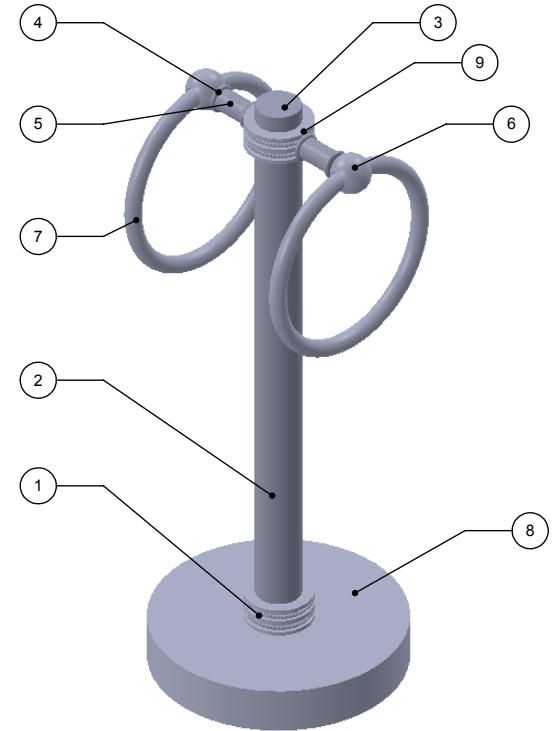


ITEM NO.	PART NUMBER	DESCRIPTION	QTY.
1	RGDT	HUB	1
2	TU12-2	TUBE UPRIGHT	1
3	Card-1	END LOCK	1
4	CRRD-12	Connector	4
5	TU12-0.75	TUBE SUPPORT	2
6	BLTSR-1	SPHERE HUB	2
7	TRMT-4	RING	2
8	BSRD-5.5	BASE	1
9	RGDTP	HUB TOP	1



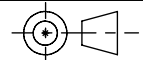
UNLESS OTHERWISE STATED

.X	± .3mm
.XX	± .15mm
.XXX	± .008mm

APPROVED FOR PRODUCTION

By: RICHARD PAUL
Date: 7-6-19

COPYRIGHT © Allied Brass 2019



THIRD ANGLE PROJECTION

DRAWN	7-6-19	I.M
CHECKED	7-6-19	P.D
APPROVED	7-6-19	R.A

MATERIAL: BRASS

DESCRIPTION:

TOWEL HOLDER



FINISH: TBD

QUANTITY: TBD

DRAWING No.

953D

REV

0

SCALE: 1:3 SHEET: 01 A4